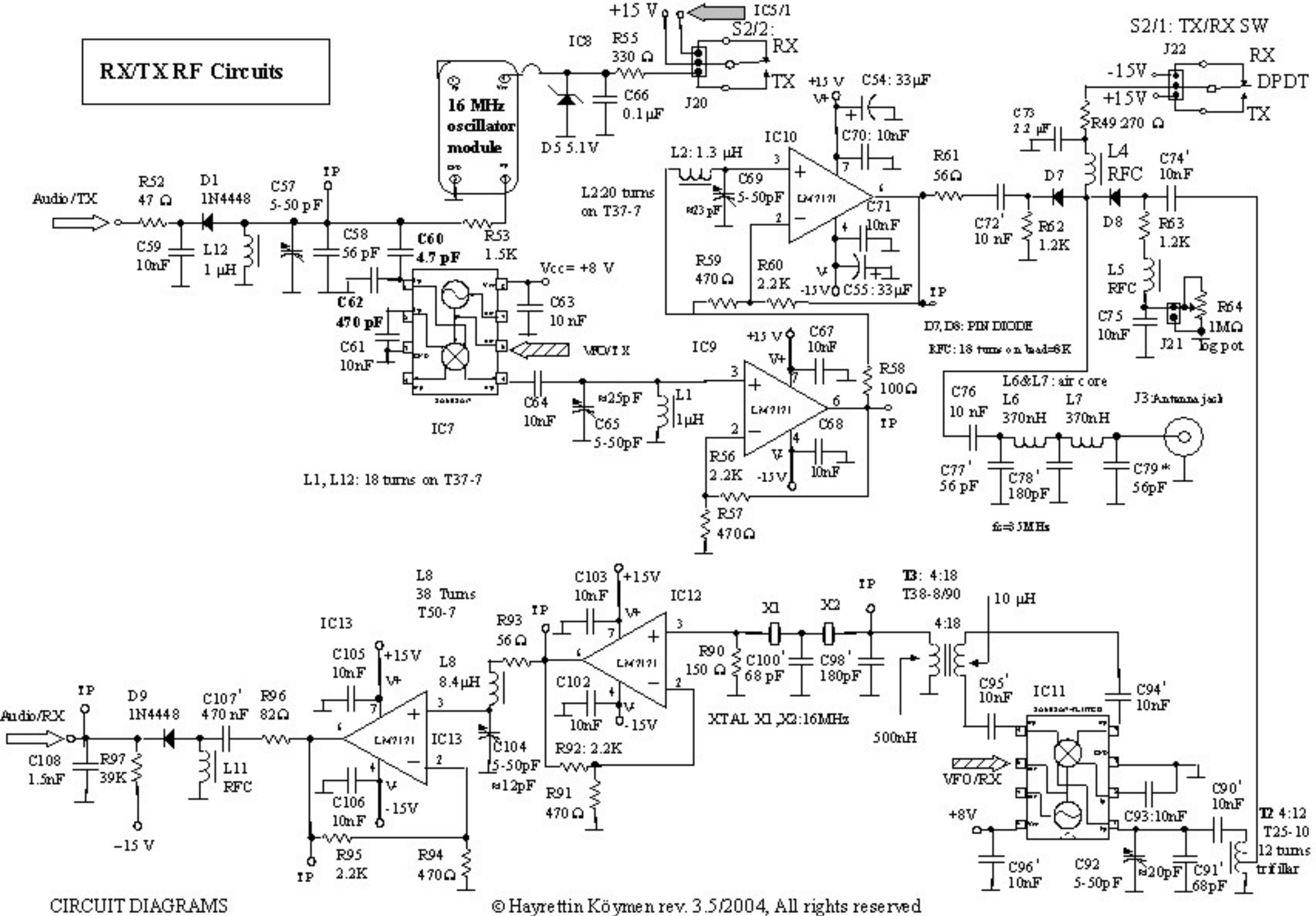


RX/TXRF Circuits



CIRCUIT DIAGRAMS

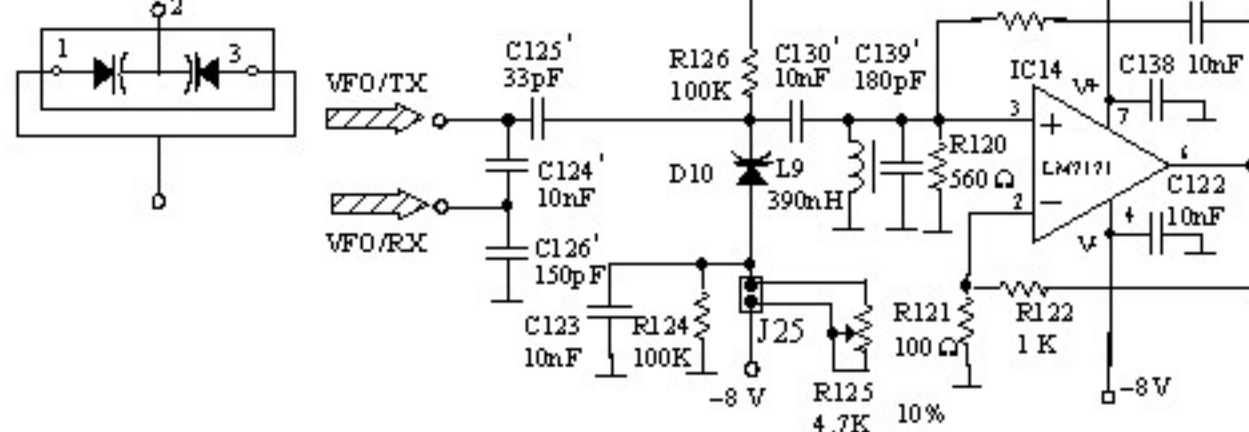
© Hayrettin Köymen rev. 3.5/2004, All rights reserved

ANALOG ELECTRONICS

BILKENT UNIVERSITY

VFO Circuit

L9: 11 turns on T37-7
D10: KV1360NT



CIRCUIT DIAGRAMS

© Hayrettin Köymen rev. 3.5/2004, All rights reserved

Antenna

