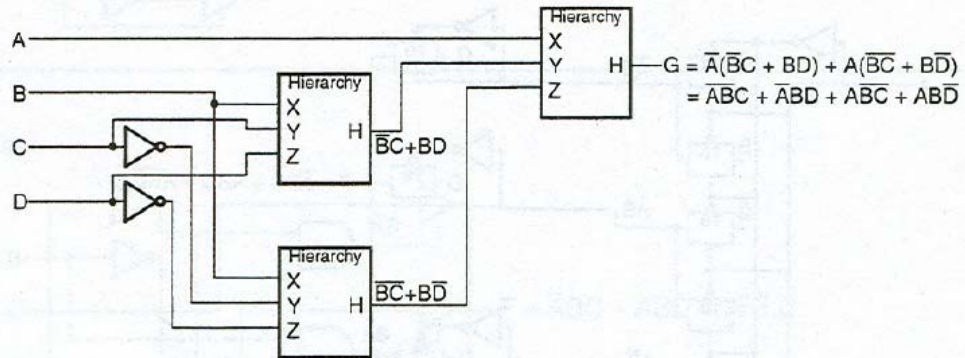


**ELEC 204  
HW#4 Solutions**

**3-2.**

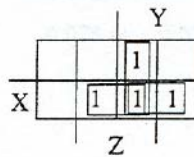


**3-6.**

	a)	b)
Input	Delay	Delay
C	1.6ns	1.6ns
D	1.6ns	1.6ns
$\overline{B}$	1.2ns	1.2ns
A	0.8ns	0.8ns
B	0.8ns	0.8ns
$\overline{C}$	0.8ns	0.8ns

**c)** The values are identical in all cases.

**3-10.**



$$F = XZ + XY + YZ$$

This is the same function as the carry for the full adder.

**3-15.**

A	B	C	S5	S4	S3	S2	S1	S0
0	0	0	0	0	0	0	0	0
0	0	1	0	0	0	0	0	1
0	1	0	0	0	0	1	0	0
0	1	1	0	0	1	0	0	1
1	0	0	0	1	0	0	0	0
1	0	1	0	1	1	0	0	1
1	1	0	1	0	0	1	0	0
1	1	1	1	1	0	0	0	1

$$S0 = C$$

$$S1 = 0$$

$$S2 = \overline{A}B\overline{C} + A\overline{B}C$$

$$S3 = \overline{A}BC + A\overline{B}C$$

$$S4 = A\overline{B} + AC$$

$$S5 = AB$$