

ELEC 204
HW#5 Solutions

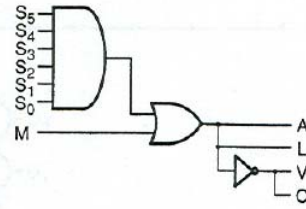
4-4.

$$A = (S_0 \cdot S_1 \cdot S_2 \cdot S_3 \cdot S_4 \cdot S_5) + M$$

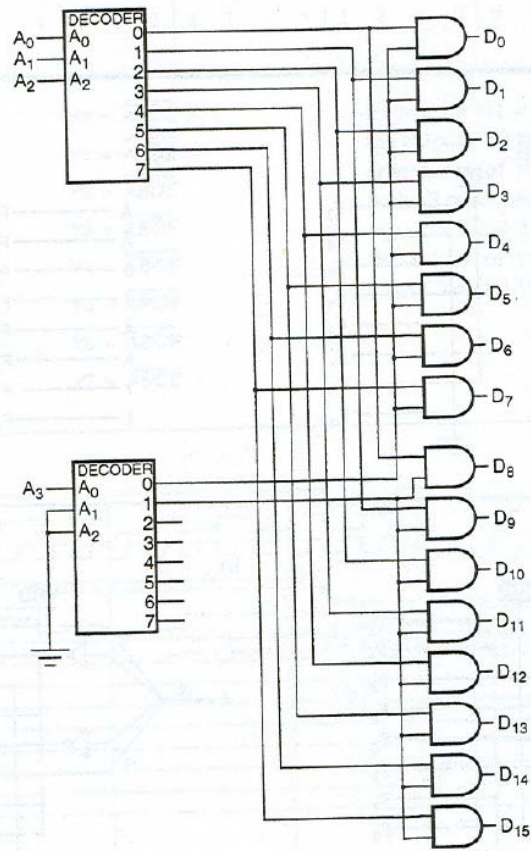
$$L = A$$

$$V = \bar{A} = \overline{(S_0 \cdot S_1 \cdot S_2 \cdot S_3 \cdot S_4 \cdot S_5) + M}$$

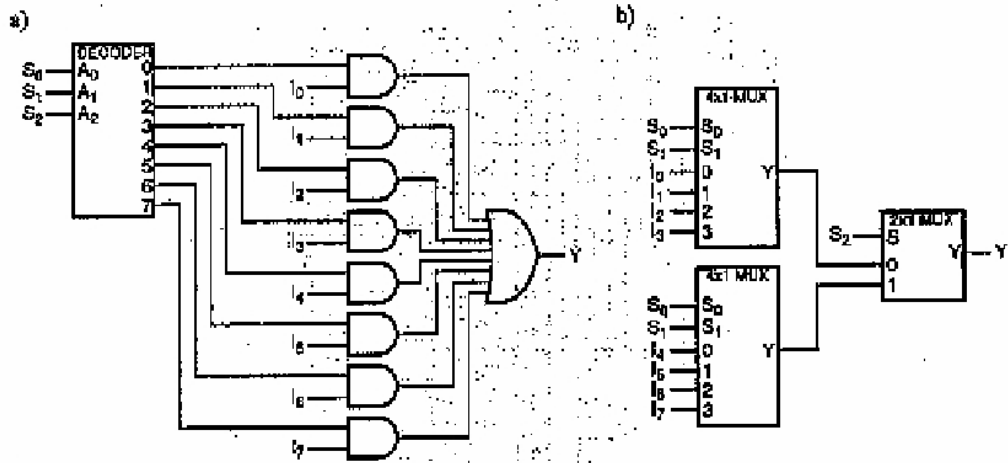
$$C = V$$



4-5.



4-12.



4-21.

